

Fiber-coupled Laser Diode Module

STC-LDM-450-12

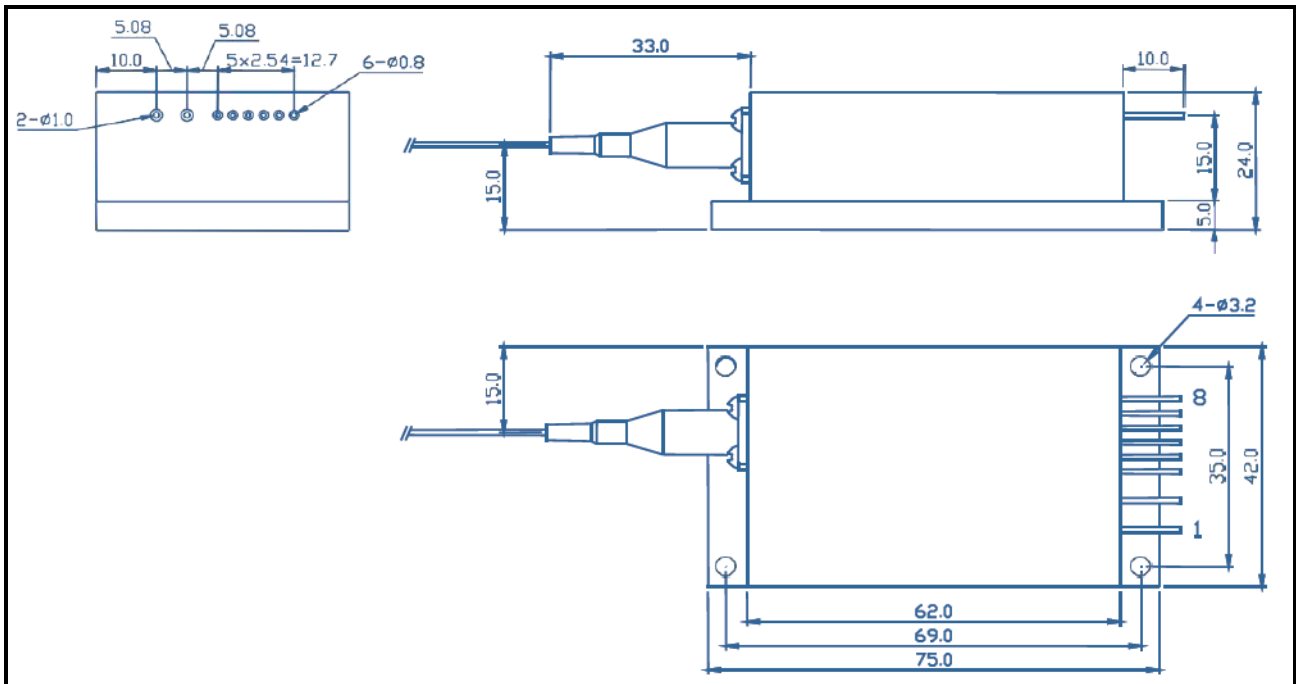
Typical Device Performance (20°C)

Optical	Unit	Typical Value
CW Output Power	W	12
Center Wavelength	nm	450±10
Electrical		
Threshold Current	A	0.3
Operating Current	A	2.5
Operating Voltage	V	18
TEC		
Operating Voltage Max	V	19.6
Operating Current Max	A	6.0
Fiber*		
Fiber Core Diameter	μm	200
Fiber Cladding Diameter	μm	220
Numerical Aperture	-	0.22
Fiber Length	m	2.0

* Customized fiber and connector available.

Absolute Ratings

	Unit	Min	Max
Operating Temperature	°C	10	40
Operating Relative Humidity	%	-	75
Storage Temperature	°C	-20	80
Storage Relative Humidity	%	-	90
Lead Soldering Temperature, 10 s max	°C	-	250



Pin	Function	Pin	Function
1	LD (+)	5	PD(P)
2	LD (-)	6	Thermistor
3	TEC (-)	7	Thermistor
4	PD(N)	8	TEC (+)