

1550nm 15mW Single Mode DFB Laser Diodes with Flat Window & Built-in PD

Part Number: STW-WSLD-1550-015m-1-PD-F

Features:

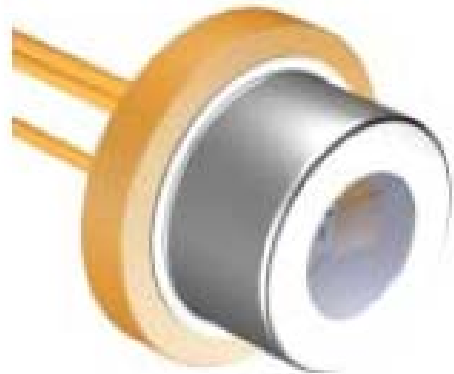
- 1550nm
- Single Mode Beam
- DFB LD
- With Flat Window
- Built-in PD

Applications:

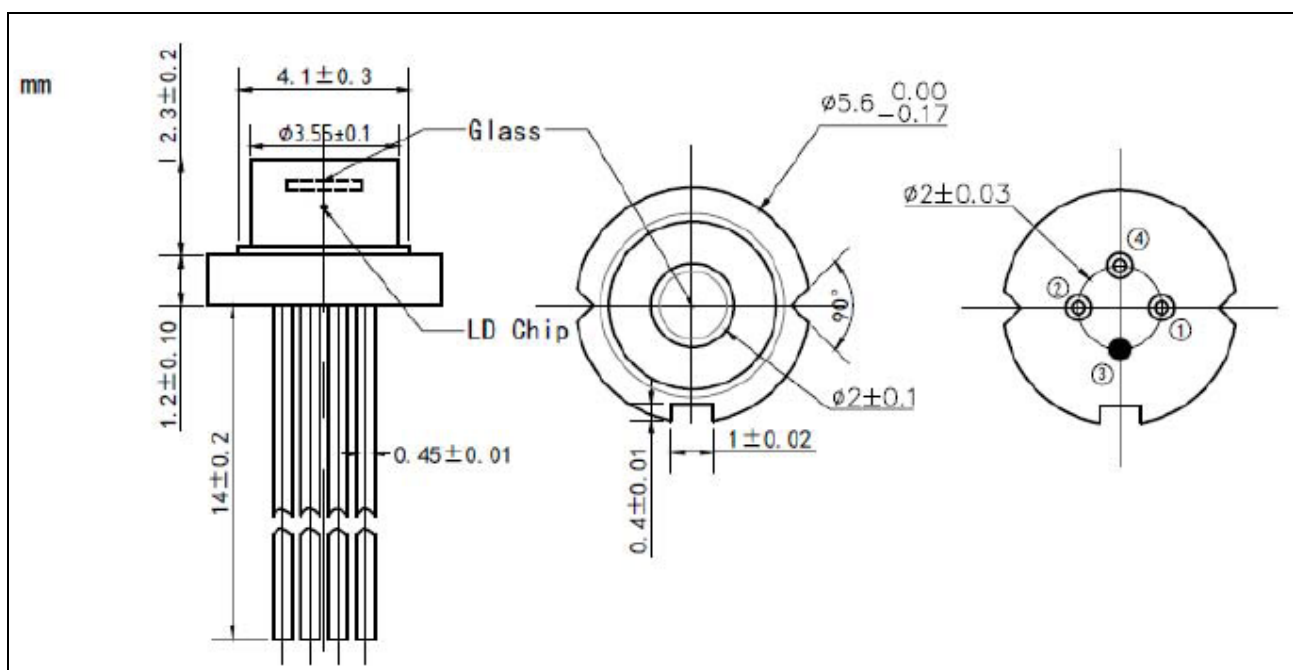
- Optical Fiber Communication
- Free-space Optical Communication

Specifications:

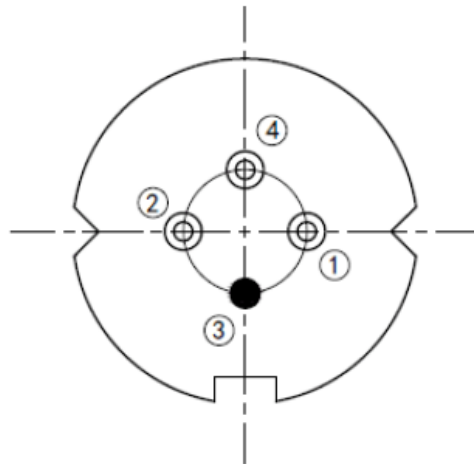
- Reverse Voltage (Vr): 2.0 V
- Operating Temperature (Top): -10~+50 °C
- Storage Temperature (Tstg): -40~ +85 °C
- Lead Soldering Temperature (10 sec.) (Tis): 260 °C



	Min.	Typical	Max.
Central wavelengths @25 degree C (nm)	1540	1550	1560
Spectral width (FWHM) (nm)			2
Output power (mW)		15	
Recommended operation temp. (degree C)		25	
Laser type		DFB	
Beam divergence (FWHM) degree (Vert xParr)		35 x 25	
Reverse current (PD) I _{rp} (mA)		0.5	
Reverse voltage (PD) V _{rp} (V)			15
Threshold current (typ.) (mA)		5	15
Operating current (mA)		80	90
Operating voltage (V)		1.4	1.7
Package style	TO18		
Window type	flat window		

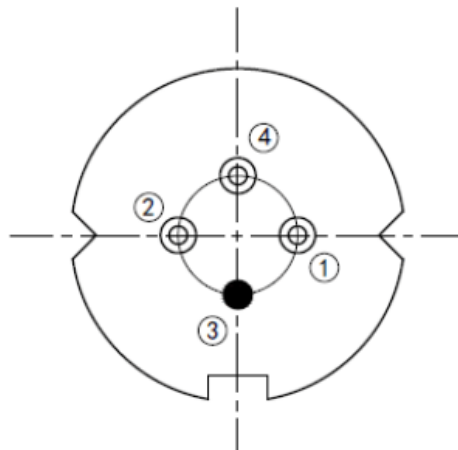


PIN Bottom View (A-Type):



PIN 1	PD (+)
PIN 2	LD (-)
PIN 3	LD (+), CASE
PIN 4	PD (-)

PIN Bottom View (B-Type):



PIN 1	LD (+) PD (-)
PIN 2	LD (-)
PIN 3	CASE
PIN 4	PD (+)

Electrically shorten LD module and store in non-extreme conditions.
Suggest using the constant current power supply.